

19MY ISUZU MU-X SPECIFICATIONS

Engine

| | |
|-------------------|---|
| Series | Isuzu 4JJ1-TC Hi-Power |
| Description | 3.0 litre turbo diesel, in-line 4-cylinder, DOHC, 16-valve with Diesel Particulate Diffuser (DPD) |
| Maximum torque | 430Nm @ 2000→2200 rpm |
| Maximum power | 130kW @ 3600 rpm |
| Bore x stroke | 95.4mm x 104.9mm |
| Displacement | 2999cc |
| Compression ratio | 16.3 : 1 |
| Cylinder head | Isuzu-patent special aluminium alloy |
| Valve gear | Chain-driven dual overhead camshafts, roller rockers, 4 valves/cylinder |
| Induction | Electronic high pressure common rail direct fuel injection with Variable Swirl System (VSS) and intercooled Variable Geometry System (VGS) turbocharger |
| Cylinder block | Cast iron upper with induction-hardened cylinder bores, cast alloy lower |
| Emission level | Euro5 |
| Alternator | 120 amp with Intelligent Battery Sensor (IBS) |

Transmissions

| | | |
|-------------------|--|--------------------------|
| Automatic | Aisin AWR6B45II 6-speed with sequential shift and brake shift lock electronically controlled, tri-mode with Adaptive Logic Control and fuel-saving lock-up torque converter on gears 3, 4, 5 and 6 ► Uphill/Downhill Transmission Control System: holds gear in varied-gradient ascents, selects gear on steep descents to hold speed with engine braking | |
| Ratios: 1 | | 6-speed Automatic |
| | 1st | 3.600 |
| | 2nd | 2.090 |
| | 3rd | 1.488 |
| | 4th | 1.000 |
| | 5th | 0.687 |
| | 6th | 0.580 |
| | Reverse | 3.732 |
| Final drive | 4x2 | 3.727 |
| | 4x4 | 3.727 |
| | Snorkelled diff breathers to increase fording depth and reduce mud blockage | |
| Transfer gearing | 4x4 low-range | 2.482 |
| | 4x4 high-range | 1.000 |
| 4x4 system | "Terrain Command" control with 'shift on the fly' 2-high↔4-high selection at up to 100km/h | |
| Drivetrain system | TCS (Traction Control System) on all model variants | |

Steering

Engine-speed-sensitive variable capacity power-assisted rack and pinion system; 3.84 turns lock-to-lock via tilt-adjustable steering wheel

Chassis

Separate, full-length heavy-duty ladder construction chassis

Front suspension

Independent, high-ride, coil springs, gas shock absorbers, upper and lower wishbones, stabiliser bar

Rear suspension

Multi-link coil suspension, gas shock absorbers, stabiliser bar

Axles

Front

Independent. 4x4: fully floating with outer CV and inner double offset joints and equal driveshafts
Gross Axle Weight: 1350kg

Rear

Rigid semi-floating banjo with hypoid final drive
Gross Axle Weight: 1600kg

Brakes

Anti-lock Brake System (ABS) with Electronic Brakeforce Distribution (EBD), Electronic Stability Control (ESC), Emergency Brake Assist (EBA), Trailer Sway Control (TSC), Hill Start Assist (HSA) and Hill Descent Control (HDC)

Power-assisted via 10.5" servo unit; 300mm dia. ventilated front discs with 2-piston calipers, 318mm rear disc brakes

Central pull up park brake

Wheels and Tyres

| | |
|------------|--|
| LS-M | 16" x 7" alloy; 245 / 70 R16 All Terrain |
| LS-U | 18" x 7" alloy; 255 / 60 R18 Highway Terrain |
| LS-T | 18" x 7" alloy; 255 / 60 R18 Highway Terrain |
| All Models | Full size spare wheel – alloy on LS-U/LS-T and steel on LS-M |

Service Plus

| | |
|------------------------|---|
| Warranty | For the ultimate peace of mind, every Isuzu MU-X comes standard with a comprehensive, bumper-to-bumper 6 years/150,000km warranty ¹ . |
| Roadside Assistance | Enjoy up to 7 years Roadside Assistance ² when you complete your scheduled services at a Participating Isuzu UTE Dealer. |
| Capped Price Servicing | As an owner you will get access to our Capped Price Servicing ³ Program. The CPS Program covers the first 7 Scheduled Services in line with the Scheduled Service Intervals. |

¹6 years/150,000km (whichever occurs first), for Isuzu UTE Vehicles with a Warranty Start Date on or after 1/1/19. Excludes accessories. ²The Roadside Assistance Program ("RSA Program") provides Coverage to RSA Eligible Vehicles with a Warranty Start Date on or after 1/9/20 for a maximum of 7 years (unlimited kilometres). Initial 13 months Coverage provided from the Warranty Start Date. The Coverage will be reset for another 13 months from each date that a Participating Isuzu UTE Dealer conducts a Scheduled Service on the vehicle. For full terms & conditions visit isuzuute.com.au/roadside-assistance-disclaimer. ³The Capped Price Servicing Program ("CPS Program") applies to CPS Eligible Vehicles at Participating Isuzu UTE Dealers only. For 19MY & later vehicle models, the Capped Price Servicing covers the first 7 Scheduled Services for up to 7 years/105,000km (whichever occurs first). CPS Program is subject to change. For full terms & conditions, current pricing & model eligibility visit isuzuute.com.au/service-plus-disclaimer.



SPECIFICATIONS

| | 4x2 | | | 4x4 | | |
|---|--------------|--------------|--------------|--------------|--------------|--------------|
| | MU-X LS-M | MU-X LS-U | MU-X LS-T | MU-X LS-M | MU-X LS-U | MU-X LS-T |
| Engine | | | | | | |
| 2999cc DOHC 4cyl. with intercooled turbocharger (430Nm, 130kW) | ● | ● | ● | ● | ● | ● |
| Transmissions | | | | | | |
| 6-speed "Rev-Tronic" automatic transmission with sequential sport mode | ● | ● | ● | ● | ● | ● |
| Safety and Security | | | | | | |
| 4-channel 4-sensor Anti-lock Brake System (ABS) with Electronic Brakeforce Distribution (EBD) | ● | ● | ● | ● | ● | ● |
| Electronic Stability Control (ESC) | ● | ● | ● | ● | ● | ● |
| Traction Control System (TCS) | ● | ● | ● | ● | ● | ● |
| Emergency Brake Assist (EBA) | ● | ● | ● | ● | ● | ● |
| Trailer Sway Control (TSC) | ● | ● | ● | ● | ● | ● |
| Hill Start Assist (HSA) | ● | ● | ● | ● | ● | ● |
| Hill Descent Control (HDC) | ● | ● | ● | ● | ● | ● |
| Reversing camera | ● | ● | ● | ● | ● | ● |
| Rear park assist sensors | ● | ● | ● | ● | ● | ● |
| 6 airbags: dual front, front side and full length curtain | ● | ● | ● | ● | ● | ● |
| Height-adjustable upper mounts for front seat belts | ● | ● | ● | ● | ● | ● |
| Audible and visual front seat belt warnings | ● | ● | ● | ● | ● | ● |
| Dual pre-tensioners with load limiters for front seat belts | ● | ● | ● | ● | ● | ● |
| 3-point retractable seat belts for all seating positions | ● | ● | ● | ● | ● | ● |
| Emergency locking retractor (ELR) for all seat belts | ● | ● | ● | ● | ● | ● |
| Automatic locking retractor (ALR) for front passenger and 2nd row seatbelts including centre seat | ● | ● | ● | ● | ● | ● |
| Three childseat tethers and ISO FIX compatible anchor points for 2nd row seats | ● | ● | ● | ● | ● | ● |
| Child-proof rear door locks | ● | ● | ● | ● | ● | ● |
| Side anti-intrusion bars inside side doors | ● | ● | ● | ● | ● | ● |
| Engine immobilizer | ● | ● | ● | ● | ● | ● |
| Anti-theft alarm system | ● | ● | ● | ● | ● | ● |
| Warning alarm: headlights or parking lights on with ignition key removed | ● | ● | ● | ● | ● | ● |
| Rear window demister with timer | ● | ● | ● | ● | ● | ● |
| High Density Polyethylene (HDPE) fuel tank | ● | ● | ● | ● | ● | ● |
| High mount centre LED brake light | ● | ● | ● | ● | ● | ● |
| Dual horn | ● | ● | ● | ● | ● | ● |
| Protection | | | | | | |
| Under-front steel plate skid/splash shield | ● | ● | ● | ● | ● | ● |
| Steel plate guards: sump and transfer case | ● | ● | ● | ● | ● | ● |
| Suspension and Brakes | | | | | | |
| Front coil suspension with gas filled shock absorbers | ● | ● | ● | ● | ● | ● |
| Rear multi-link coil suspension with gas filled shock absorbers and stabiliser bar | ● | ● | ● | ● | ● | ● |
| 300mm front ventilated discs brakes with twin-pot calipers | ● | ● | ● | ● | ● | ● |
| 318mm rear solid disc brakes | ● | ● | ● | ● | ● | ● |
| Seating | | | | | | |
| Front bucket whiplash protection seats | ● | ● | ● | ● | ● | ● |
| Leather accented seats (first and second row seats have leather touches or accents, but are not wholly leather) | | | ● | | | ● |
| Six-way adjustable electric driver's seat | | | ● | | | ● |
| Height-adjustable driver's seat | ● | ● | ● | ● | ● | ● |
| 60:40 split-fold 2nd row seats with fold away centre arm rest | ● | ● | ● | ● | ● | ● |
| 50:50 split-fold 3rd row seats (not available for ISO FIX) | ● | ● | ● | ● | ● | ● |
| Adjustable headrests for all seats including centre seat | ● | ● | ● | ● | ● | ● |
| In-cabin Storage | | | | | | |
| Glovebox with light | ● | ● | ● | ● | ● | ● |
| Power outlet in glovebox and in rear cargo area | ● | ● | ● | ● | ● | ● |
| Centre console with two cup holders and removable ash container | ● | ● | ● | ● | ● | ● |
| Dual-purpose driver and front passenger cup holder tray | ● | ● | ● | ● | ● | ● |
| Rear passenger door cup holders | ● | ● | ● | ● | ● | ● |
| Overhead console with twin map lights and flip-down sunglasses holder case | ● | ● | ● | ● | ● | ● |
| Front door storage compartment with bottle bulge | ● | ● | ● | ● | ● | ● |
| Two coat hooks | ● | ● | ● | ● | ● | ● |
| Rear cargo organiser box | ● | ● | ● | ● | ● | ● |

SPECIFICATIONS

Exterior Style

| | 4x2 | | | 4x4 | | |
|---|--------------|--------------|--------------|--------------|--------------|--------------|
| | MU-X LS-M | MU-X LS-U | MU-X LS-T | MU-X LS-M | MU-X LS-U | MU-X LS-T |
| Bi-LED projector headlights with auto-levelling feature | ● | ● | ● | ● | ● | ● |
| LED Daytime Running Lights | ● | ● | ● | ● | ● | ● |
| Front fog lights | | ● | ● | | ● | ● |
| Chrome radiator grille | | ● | ● | | ● | ● |
| Dark grey radiator grille | ● | | | ● | | |
| Aluminium side steps | | ● | ● | | ● | ● |
| Chrome door handles with touch sensor opening and push button locking (driver side) | | | ● | | | ● |
| Chrome door handles | | ● | ● | | ● | ● |
| Colour-coded door handles | ● | | | ● | | |
| Chrome fold-in power door mirrors with integrated turn indicators | | ● | ● | | ● | ● |
| Colour-coded power door mirrors with integrated turn indicators | ● | | | ● | | |
| Colour-coded centre rear roof-mounted shark fin aerial | | ● | ● | | ● | ● |
| Centre front roof-mounted bee-sting aerial | ● | | | ● | | |
| Privacy glass - rear doors, quarter and tailgate windows | | ● | ● | | ● | ● |
| Roof rails (maximum load capacity 60kg) | | | ● | | | ● |
| Enhanced style featuring tailgate spoiler and muffler cutter | | | ● | | | ● |

Cabin Amenities

| | | | | | | |
|--|---|---|---|---|---|---|
| Climate control air conditioning with integrated heater/demister | | ● | ● | | ● | ● |
| Manual air conditioning with integrated heater/demister | ● | | | ● | | |
| Rear cabin cooling vents | | ● | ● | | ● | ● |
| Pollen and fine particle air filter | ● | ● | ● | ● | ● | ● |
| Power windows with one-touch up/down, driver's window with safety stop and delay closing | ● | ● | ● | ● | ● | ● |
| Central locking with keyless entry | ● | ● | ● | ● | ● | ● |
| Passive Entry and Start System | | | ● | | | ● |
| Ambient lighting on front and rear door trim | | | ● | | | ● |
| Power-adjustable door mirrors with turn indicator lights | ● | ● | ● | ● | ● | ● |
| Cruise control | ● | ● | ● | ● | ● | ● |
| *Sky Sound™ roof-mounted sound system with 8 speakers (mounted in roof, front dash, front and rear doors) | ● | ● | ● | ● | ● | ● |
| 7" Touchscreen DVD/CD/MP3/FM/AM/AUX audio unit with USB, iPod® input and Bluetooth® audio streaming | ● | | | ● | | |
| 8" Touchscreen DVD/CD/MP3/FM/AM/AUX audio unit with USB, iPod® input and Bluetooth® audio streaming | | ● | ● | | ● | ● |
| Built-in satellite navigation | | ● | ● | | ● | ● |
| Back seat USB charging port | ● | ● | ● | ● | ● | ● |
| Roof mounted 10" DVD entertainment monitor | | | ● | | | ● |
| Tilt-adjustable steering wheel with power steering | ● | ● | ● | ● | ● | ● |
| Leather wrapped steering wheel with easy select cruise and audio controls | ● | ● | ● | ● | ● | ● |
| Multi-Information Display (MID): fuel economy, odometer, trip odometer A and B, DPD operator regeneration indicator, fuel range and service reminder | ● | ● | ● | ● | ● | ● |
| Electro-luminescent gauges | ● | ● | ● | ● | ● | ● |
| *Terrain Command™ 4WD select dial (2WD-high, 4WD-high and 4WD-low) | | | ● | | | ● |
| Windscreen wipers with variable intermittent sweep modes | ● | ● | ● | ● | ● | ● |
| Rear window wiper | ● | ● | ● | ● | ● | ● |
| Day/night interior rear view mirror | ● | ● | ● | ● | ● | ● |
| Sun visors with vanity mirror (driver and passenger) and ticket retaining strap (driver) | ● | ● | ● | ● | ● | ● |
| Fixed A-pillar assist-grips for driver and front passenger | ● | ● | ● | ● | ● | ● |
| Roof mounted retractable door assist-grips for front and rear doors | ● | ● | ● | ● | ● | ● |
| 3rd row assist-grips | ● | ● | ● | ● | ● | ● |
| Carpet flooring | ● | ● | ● | ● | ● | ● |

FUEL, WEIGHTS AND DIMENSIONS

MU-X ADR 81/02^a Fuel Consumption Values

| | 4x2 | | | 4x4 | | |
|--|-----------|-----------|-----------|-----------|-----------|-----------|
| | MU-X LS-M | MU-X LS-U | MU-X LS-T | MU-X LS-M | MU-X LS-U | MU-X LS-T |
| Transmission (AT = Automatic) | AT | AT | AT | AT | AT | AT |
| FUEL CONSUMPTION (litres/100km) | | | | | | |
| Combined | 8.0 | 8.1 | 8.1 | 8.1 | 7.9 | 7.9 |
| Urban | 9.8 | 9.9 | 9.9 | 9.9 | 9.5 | 9.5 |
| Extra Urban | 7.0 | 7.1 | 7.1 | 7.1 | 7.0 | 7.0 |
| CO² (g/km) | | | | | | |
| Combined | 211 | 214 | 214 | 214 | 209 | 209 |
| Urban | 259 | 262 | 262 | 262 | 250 | 250 |
| Extra Urban | 184 | 186 | 186 | 186 | 183 | 183 |

Dimensions (mm unless stated otherwise)

| | | | | | | |
|--|-------|-------|-------|-------|-------|-------|
| Wheelbase | 2845 | 2845 | 2845 | 2845 | 2845 | 2845 |
| Overall length | 4825 | 4825 | 4825 | 4825 | 4825 | 4825 |
| Overall width (excluding door mirrors) | 1860 | 1860 | 1860 | 1860 | 1860 | 1860 |
| Overall height (*depends on body fitted) | 1825 | 1860 | 1860 | 1825 | 1860 | 1860 |
| Front overhang | 905 | 905 | 905 | 905 | 905 | 905 |
| Rear overhang (*depends on body fitted) | 1075 | 1075 | 1075 | 1075 | 1075 | 1075 |
| Front and rear track | 1570 | 1570 | 1570 | 1570 | 1570 | 1570 |
| Ground clearance | 220 | 230 | 230 | 220 | 230 | 230 |
| Turning circle diameter between kerbs (metres) | 11.6 | 11.6 | 11.6 | 11.6 | 11.6 | 11.6 |
| Approach angle | 23.3° | 24.0° | 24.0° | 23.3° | 24.0° | 24.0° |
| Departure angle | 24.6° | 25.1° | 25.1° | 24.6° | 25.1° | 25.1° |
| Ramp-over angle | 18.7° | 19.5° | 19.5° | 18.7° | 19.5° | 19.5° |

Interior (mm)

| | | | | | | |
|---|------|------|------|------|------|------|
| Leg room - front | 1106 | 1106 | 1106 | 1106 | 1106 | 1106 |
| Leg room - 2nd | 915 | 915 | 915 | 915 | 915 | 915 |
| Leg room - 3rd | 815 | 815 | 815 | 815 | 815 | 815 |
| Shoulder room - front | 1458 | 1458 | 1458 | 1458 | 1458 | 1458 |
| Shoulder room - 2nd | 1453 | 1453 | 1453 | 1453 | 1453 | 1453 |
| Shoulder room - 3rd | 1340 | 1340 | 1340 | 1340 | 1340 | 1340 |
| Head room - front | 1009 | 1009 | 1009 | 1009 | 1009 | 1009 |
| Head room - 2nd | 980 | 980 | 980 | 980 | 980 | 980 |
| Head room - 3rd | 929 | 929 | 929 | 929 | 929 | 929 |
| Cargo volume - 2nd and 3rd row seats folded flat (litres) | 1830 | 1830 | 1830 | 1830 | 1830 | 1830 |
| Cargo volume - 3rd row seats folded flat (litres) | 878 | 878 | 878 | 878 | 878 | 878 |
| Cargo volume - behind 3rd row seats (litres) | 235 | 235 | 235 | 235 | 235 | 235 |

Mass (kg)

| | | | | | | |
|---|------|------|------|------|------|------|
| Gross Vehicle Mass (GVM) | 2650 | 2650 | 2650 | 2750 | 2750 | 2750 |
| Tare mass [†] | 1945 | 1995 | 2015 | 2045 | 2095 | 2110 |
| Kerb weight [‡] | 1992 | 2042 | 2062 | 2092 | 2142 | 2157 |
| Payload [‡] | 658 | 608 | 588 | 658 | 608 | 593 |
| Gross Combination Mass (GCM) | 5650 | 5650 | 5650 | 5750 | 5750 | 5750 |
| Maximum towing mass (braked trailer) | 3000 | 3000 | 3000 | 3000 | 3000 | 3000 |
| Maximum towing mass (non-braked trailer) | 750 | 750 | 750 | 750 | 750 | 750 |
| Maximum tow ball download (fitted with genuine Isuzu UTE tow kit) | 300 | 300 | 300 | 300 | 300 | 300 |
| Fuel tank capacity (litres) | 65 | 65 | 65 | 65 | 65 | 65 |

^aFuel consumption & emissions figures based on ADR 81/02 & are to be used for vehicle comparison purposes only. Actual fuel consumption & emissions will vary depending on many factors including, but not limited to, traffic conditions, individual driving style & vehicle condition. [†]Tare mass - unladen mass of vehicle & 10 litres of fuel. [‡]Kerb weight - tare mass plus full tank of fuel. Fuel weight ratio is based on Fuel Standard (Automotive Diesel) Determination 2001. [‡]Payload - GVM minus kerb weight.

BODY STYLES AND DIMENSIONS



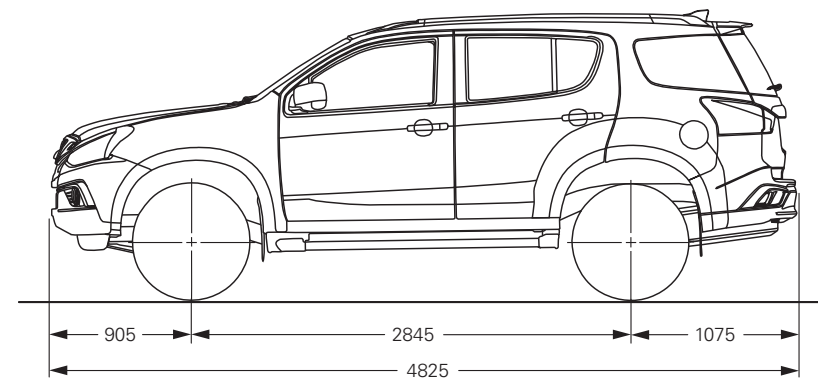
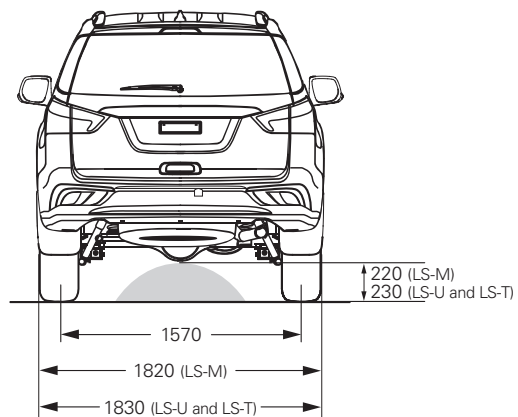
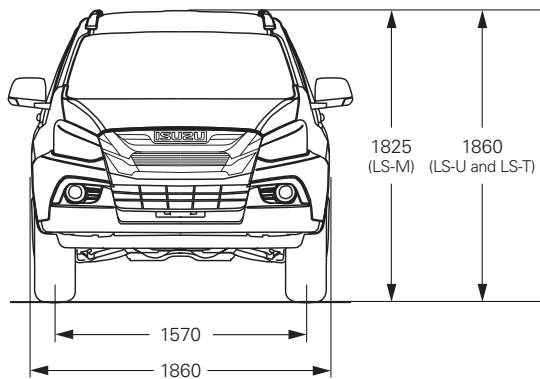
Isuzu MU-X LS-M 4x2 and 4x4



Isuzu MU-X LS-U 4x2 and 4x4



Isuzu MU-X LS-T 4x2 and 4x4



COLOURS AND TRIM

Body Colours



Cosmic Black mica



Magnetic Red mica



Obsidian Grey mica



Silky White pearl



Splash White



Titanium Silver metallic

Interior Trim



LS-M / LS-U
Dark Grey Cloth

LS-T
Black Accented Leather*

*Seats have leather touches or accents (excluding third row), but are not wholly leather. Colours depicted herein may differ from actual due to the printing process.

Please read with the 19MY Isuzu MU-X vehicle brochure. All information is true and correct at the time of publishing, August 2020. Isuzu UTE Australia reserves the right to change specifications and features at any time. Colours depicted herein may differ from actual due to the printing process. Please refer to isuzuute.com.au or consult your authorised Isuzu UTE Dealer for current availability of models, options, specifications, colours and Isuzu UTE Genuine Accessories.

ISUZU
mu-x

ISUZU
UTE